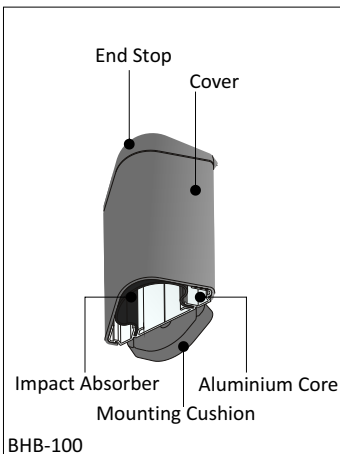
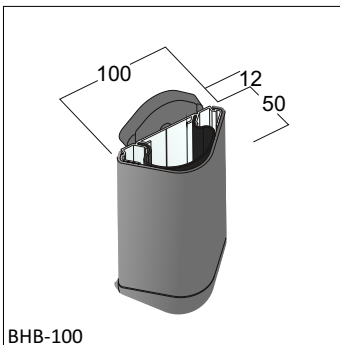
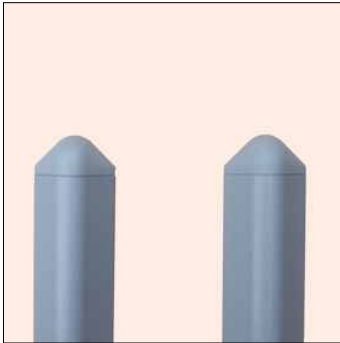


Product Code:

INTRAD BHB-100 Bed Head Buffer



Product Description:-

A pair of vertical buffers designed to enable the easy location of hospital beds or trolleys. Intrad BHB-100 are available with standard mounting cushions or extended brackets to give a clearance of 300mm max to the front of the bed head locator allowing it to clear any hospital services. (Walls may require suitable patressing)

P20 178 PROPRIETARY VERTICAL BED HEAD PROTECTION - 100mm

Manufacturer:

PJP Ltd., St Albans Road West, Hatfield, Hertfordshire, AL10 0TF.

T: 01707 266 726. F: 01707 263 614

E: sales@intrad.com W: www.intrad.com

Product reference: Intrad BHB-100 Bed Head Buffer

Comprising a pair of contoured PVC-U covers, continuous aluminium core c/w single impact absorber fixed onto 12mm spacer cushions.

Impact Rating: Medium/Heavy Duty

Size: 1000mm long pair of buffers 100 x 50mm with internal continuous aluminium core and impact absorber fixed on to 12mm spacers to give 62mm projection.

Accessories:

RHB-1-Ext Extended Fixing Bracket to give projections up to 300mm to the front of the buffer. Ideal for keeping damage away from trunking systems.

Colour/Finish:

To be selected from the manufacturer's Standard colour range or Artist Range. Embossed finish to cover profile.

Fixing:

In accordance with the manufacturer's instructions.

Cover snap fixed through continuous aluminium core and spacer (screw fixed at 600mm centres) c/w continuous impact absorber.

Jointing: N/A

Substrates:-

If the INTRAD BHB-100 is to be fitted to hollow walls (single/double skin plasterboard systems or similar) a suitable continuous noggin, patress or metal channel must be installed.

Product Code:

INTRAD BHB-125 Bed Head Buffer



Product Description:-

A pair of Heavy Duty vertical buffers designed to enable the easy location of hospital beds or trolleys. Intrad BHB-125 are supplied in pairs are ideal for heavy duty applications such emergency treatment or trolley storage.

P20 178A PROPRIETARY VERTICAL BED HEAD PROTECTION - 125mm

Manufacturer:

PJP Ltd., St Albans Road West, Hatfield, Hertfordshire, AL10 0TF.
T: 01707 266 726. F: 01707 263 614
E: sales@intrad.com W: www.intrad.com

Product reference: Intrad BHB-125 Bed Head Buffer

Comprising a pair of contoured PVC-U covers, continuous aluminium core c/w single impact absorber fixed onto 45mm spacer cushions, giving 95mm clearance.

Impact Rating: Heavy Duty

Size: 1000mm long pair of buffers 125 x 95mm with internal continuous aluminium core and impact absorber fixed..

Accessories:

None

Colour/Finish:

To be selected from the manufacturer's Standard colour range or Artist Range. Embossed finish to cover profile.

Fixing:

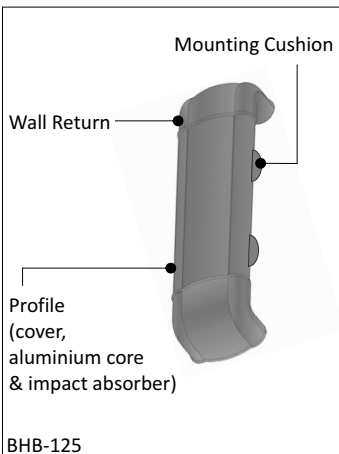
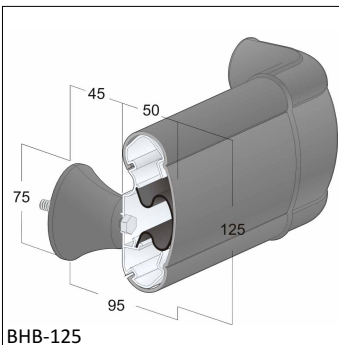
In accordance with the manufacturer's instructions.

Cover snap fixed through continuous aluminium core and spacer (screw fixed at 600mm centres) c/w continuous impact absorber.

Jointing: N/A

Substrates:-

If the INTRAD RHB-125 is to be fitted to hollow walls (single/double skin plasterboard systems or similar) a suitable continuous noggin, pattress or metal channel must be installed.



Product Code:

INTRAD BHL-100 Bed Head Locator



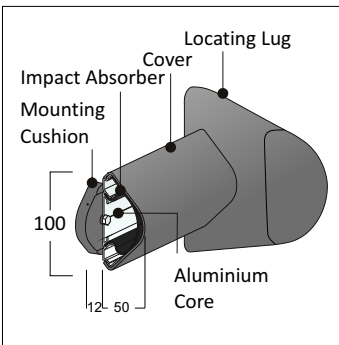
Product Description:-

A horizontal buffer designed for accurate positioning of a bed in specialist care situations. The large “Locating” lugs allow staff to reposition a bed so that all clinical services are always accessible.

P20 178C PROPRIETARY HORIZONTAL BED HEAD Location - 125mm

Manufacturer:

PJP Ltd., St Albans Road West, Hatfield, Hertfordshire, AL10 0TF.
T: 01707 266 726. F: 01707 263 614
E: sales@intrad.com W: www.intrad.com



Product reference: Intrad BHL-100 Bed Head Locator

Comprising specialist locating lugs fixed to a continuous aluminium core c/w single impact absorber with a resilient PVC-U cover. Fixed onto 12mm spacer cushions.

Impact Rating: Heavy Duty

Size: 900 - 1400mm internal clearance (please specify) 100mm buffer profile with locating lugs and mounting cushions.

Accessories:

None

Colour/Finish:

To be selected from the manufacturer’s Standard colour range or Artist Range. Embossed finish to cover profile and lugs.

Fixing:

In accordance with the manufacturer’s instructions.

Lugs securely fixed to aluminium core, cover snap fixed over continuous aluminium core and mounting cushion (screw fixed at 600mm centres) c/w continuous impact absorber.

Jointing: N/A

Substrates:-

If the INTRAD BHL-100 is to be fitted to hollow walls (single/double skin plasterboard systems or similar) a suitable continuous noggin, pattress or metal channel must be installed.

