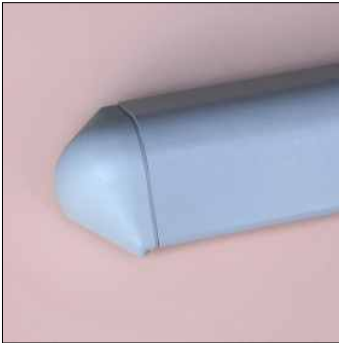


**Product Code:**

**INTRAD RHB-100 Buffer**



**Product Description:-**

Intrad RHB-100 Buffer is a stylish, unobtrusive method of protecting walls and other vulnerable interior surfaces from impact damage and wear. The elegantly contoured PVC-U cover fixes over a continuous aluminium core and impact absorber and sits on 12mm spacers to give 62mm overall projection. Ideal for low level and mid level protection.

Often paired with crashrails as the low level buffer.

**P20/173 PROPRIETARY 100mm Horizontal Buffer System**

**Manufacturer:**

PJP Ltd., St Albans Road West, Hatfield, Hertfordshire, AL10 0TF.  
T: 01707 266 726. F: 01707 263 614  
E: sales@intrad.com W: www.intrad.com

**Product reference:** Intrad RHB-100 Buffer

Comprising contoured PVC-U cover, continuous aluminium core c/w single impact absorber fixed onto 12mm spacer cushions.

**Impact Rating:** Medium/Heavy Duty

**Size:** 100 x 50mm with internal continuous aluminium core and impact absorber fixed on to 12mm spacers to give 62mm projection.

**Accessories:**

RHB-1-ES: Combined End Stop/External 90° Corner Piece

**Colour/Finish:**

To be selected from the manufacturer's Standard colour range or Artist Range.

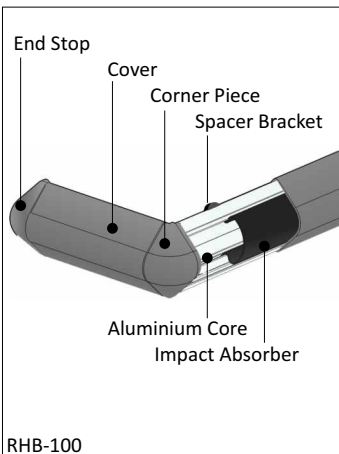
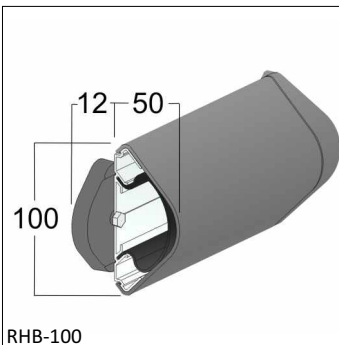
Embossed PVC-U profile and mouldings

**Fixing:**

In accordance with the manufacturer's instructions.

Cover snap fixed through continuous aluminium core and spacer (screw fixed at maximum 600mm centres) c/w continuous impact absorber.

Joining: Butt-jointed aluminium with offset overlap joints in the cover and impact absorber.



**Product Code:**

**INTRAD RDF-60 D-Fender**



**Product Description:-**

Intrad RDF-60 is a smooth hygienic buffer rail with integrated flexible seal along its top and bottom edges. The robust cover snap fixes over the continuous aluminium core sealing it to the wall. Ideal for mid and low level protection in normal or hygienic environments.

Ideally suited for use in Laboratories, special care, clean rooms, prep room, medical photography, pantry, stores etc

**P20/174 PROPRIETARY 60mm Hygienic Buffer System**

**Manufacturer:**

PJP Ltd., St Albans Road West, Hatfield, Hertfordshire, AL10 0TF.  
T: 01707 266 726. F: 01707 263 614  
E: sales@intrad.com W: www.intrad.com

**Product reference:** Intrad RDF-60 D-Fender

Comprising smooth semi-circular PVC-U cover with integrated flexible seal snap fixed over aluminium core.

**Impact Rating:** Medium/Heavy Duty

**Size:** 60 x 40mm with internal continuous aluminium core screw fixed at 600mm centres.

**Accessories:**

RDF-6-ES: Combined End Stop/External 90° Corner Piece

**Colour/Finish:**

To be selected from the manufacturer's Standard colour range or Artist Range. Smooth easy to clean hygienic surface with clear self seal edging.

**Fixing:**

In accordance with the manufacturer's instructions.

Cover snap fixed over continuous aluminium core and spacer (screw fixed at maximum 600mm centres).

Jointing: Butt-jointed aluminium with offset overlap joints in the cover.

