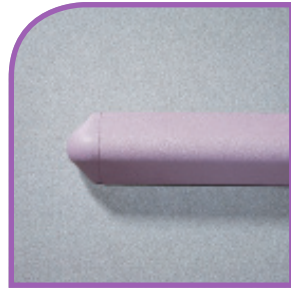


Uniclass L4423	
CI/SfB (42)	

INTRAD RHB-100 Buffer



INTRAD Buffer



INTRAD D-Fender

INTRAD RHB-100 Buffer

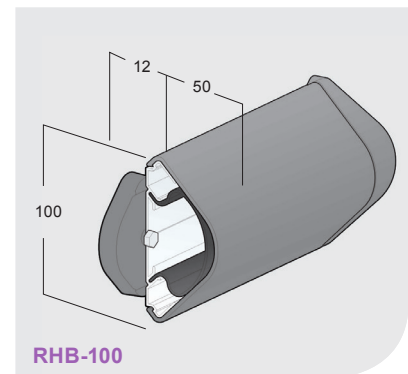
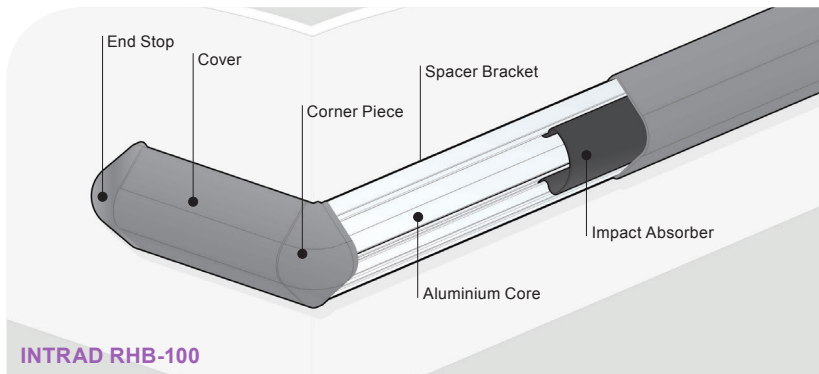
INTRAD RHB-100 is a stylish unobtrusive method of protecting walls and other vulnerable interior surfaces from impact damage and wear. Typically used at low level in conjunction with a mid height handrail or crashrail.

The practical contoured PVC-U cover profile engages over a rigid aluminium core incorporating a resilient impact absorber, and is mounted on spacers. The result is a combination of strength and resilience. The aluminium core imparts rigidity, while the resilient shock absorber and spacers reduce the force of impact.






Whilst primarily used as a low level protection, INTRAD RHB-100 can be used at mid height or in horizontal pairs.



INTRAD RHB-100 Buffer

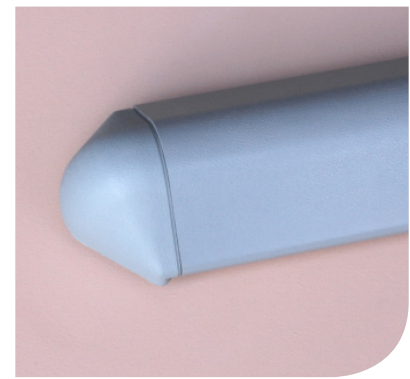


Benefits:

-  Tough profile
-  Low level protection
-  Chemical resistant
-  Reduces maintenance costs
-  Fire resistant. Class O rated

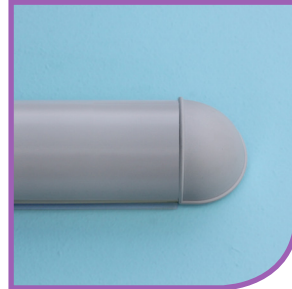
Other benefits include:

- Embossed impact resistant surface finish
- Resistant to scratching and abrasion
- Integrated range of system components
- Elegant and decorative
- Stock length 3.0m
- Projects 62mm



Uniclass L4423	
CI/SfB (42)	

INTRAD RDF-60 D-Fender



INTRAD D-Fender

INTRAD RDF-60 D-Fender

,175\$' 5') LV D VPRRWK K\JLHQLF EXIIHU UDLO WKDW LQFRUSRUDWHV LWV ODERUDWRULHV NLWFKHQV DQG RWKHU FOHDQ DUHDV LW FDQ EH XVHG DW \$ UHVLOLHQW EXIIHU WKDW LV H[WUHPHO\ UREXVW DQG KDUG ZHDULQJ

,175\$' 5') FRQVLVWV RI D VPRRWK K\JLHQLF 39& 8 EXIIHU VHFWRU WKDW UHWDLQHU VFUHZ ¿[HG WR WKH VXEVWUDWH 7KH K\JLHQLF 39& 8 FRPSRVLW ,W HIIHFWLYHO\ DEVRUEV LPSDFWV EXW GRHV QRW GHIRUP

7KH LQWHJUDWHG UDQJH RI V\VWHP FRPSRQHQWV DOVR LQFRUSRUDWHV D W ,175\$' 5') KDV D K\JLHQLF HDV\ WR FOHDQ VXUIDFH ZLWK D FOHDU ÀH[LEO LQ DQ\ SDUW RI D EXLOGLQJ WKDW UHTXLUHV D K\JLHQLF EXIIHU UDLO

