

Product Code:

INTRAD RCR-125 Combi-rail



Product Description:-

A combined crashrail and handrail system in a compact integrated design. High impact PVC-U profiles over a continuous aluminium core and internal buffer. Intrad RCR-125 Combi-rail is ideally suited to heavy duty traffic areas such as main corridors and hospital streets & wards.

P20/161A Proprietary Combined Crashrail & Handrail

Manufacturer:

PJP Ltd., St Albans Road West, Hatfield, Hertfordshire, AL10 0TF.
T: 01707 266 726. F: 01707 263 614
E: sales@intrad.com W: www.intrad.com

Product reference: Intrad RCR-125 Combi-rail.

Comprising continuous aluminium core & impact absorber, 1 piece crashrail/handrail cover and mounting cushions.

Impact Rating: Heavy/Severe Duty

Size: 125mm high with integrated handrail

Accessories:

RCR-1-WR: Wall Return
RCR-1-90: External 90° bend

Colour/Finish

To be selected from the manufacturer's Standard colour range or Artist Range. Handrail section is smooth and warm to the touch and impact area is embossed.

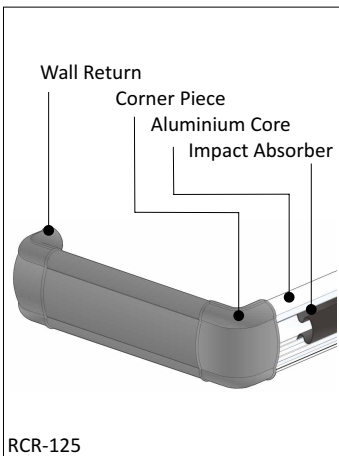
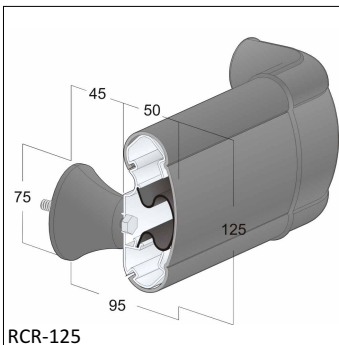
Fixing:

In accordance with the manufacturer's instructions. Continuous aluminium core, screw-fixed through mounting cushions at maximum 600mm centres.

Jointing: Butt-jointed aluminium with offset overlap joints in the cover & impact absorber.

Substrates:-

If the INTRAD RCR-125 is to be fitted to hollow walls (single/double skin plasterboard systems or similar) a suitable continuous noggin, pattress or metal channel must be installed.



Product Code:

INTRAD RCR-200 Ergo-rail



Product Description:-

A combined crashrail and handrail system with integral finger grip section available in a matching or contrasting colour. High impact PVC-U profiles over a continuous aluminium core and internal buffer. Intrad RCR-200 Ergo-rail is ideally suited to heavy duty traffic areas such as main corridors and hospital streets.

P20/161 Proprietary Combined Crashrail & Handrail

Manufacturer:

PJP Ltd., St Albans Road West, Hatfield, Hertfordshire, AL10 0TF.
T: 01707 266 726. F: 01707 263 614
E: sales@intrad.com W: www.intrad.com

Product reference: Intrad RCR-200 Ergo-rail.

Comprising continuous aluminium core & impact absorber, handrail cover, crashrail cover, and mounting cushions (in pairs).

Impact Rating: Heavy/Severe Duty

Size: 200mm high c/w 50mm dia handrail

Accessories:

RCR-2-WR: Wall Return
RCR-2-90: External 90° bend
RCR-2-FG: Finger grip/decorative insert
RCR-2-FG-PL: Finger grip - Photoluminescent for wayfinding.

Colour/Finish:

To be selected from the manufacturer's Standard colour range or Artist Range. Handrail and buffer have lightly embossed finish which is warm to the touch.

Fixing:

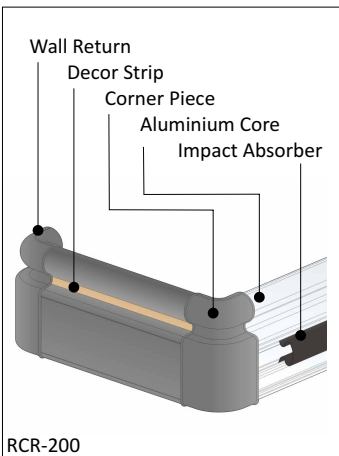
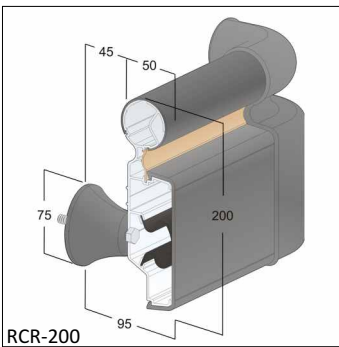
In accordance with the manufacturer's instructions.

Continuous aluminium core, screw-fixed through mounting cushions (in pairs) at maximum 600mm centres.

Joining: Butt-jointed aluminium with offset overlap joints in the covers & impact absorber.

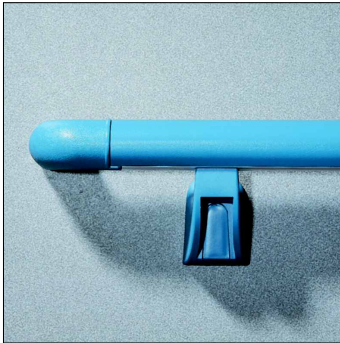
Substrates:-

If the INTRAD RCR-200 is to be fitted to hollow walls (single/double skin plasterboard systems or similar) a suitable continuous noggin, pattress or metal channel must be installed.



Product Code:

INTRAD RHR-45 Handrail



Product Description:-

An elegant handrail that is practical and economical. It consists of a robust aluminium core section and one piece PVC-U cover that is warm and pleasant to the touch. Intrad RHR-45 handrail is ideal for use in corridors and rooms where secure support is required.

P20/161B Proprietary Handrail

Manufacturer: PJP Ltd., St Albans Road West, Hatfield, Hertfordshire, AL10 0TF.
T: 01707 266 726. F: 01707 263 614
E: sales@intrad.com W: www.intrad.com

Product reference: Intrad RHR-45 Handrail.

Comprising continuous aluminium core, one piece handrail cover and underslung mounting brackets.

Impact Rating: Medium Duty

Size: 14mm high, 50mm integrated handrail

Accessories:

- RHR-4-WR: Wall Return
- RHR-4-ES: End Stop
- RHR-4-90: Internal/External 90° bend

Colour/Finish:

To be selected from the manufacturer's Standard colour range or Artist Range. Handrail section is lightly embossed and warm to the touch.

Fixing:

In accordance with the manufacturer's instructions. Continuous aluminium core bolted to underslung mounting brackets screw fixed at maximum 600mm centres.

Joining: Butt-jointed aluminium with offset overlap joints in the cover

Substrates:-

If the INTRAD RHR-45 is to be fitted to hollow walls (single/double skin plasterboard systems or similar) a suitable continuous noggin, pattress or metal channel must be installed.

