

Product Code:

INTRAD RB12-Option 1 Crashrail



Product Description:-

Intrad RB12-Option 1 is a mid height/low level light to medium duty 125mm PVC-U guardrail system, designed to protect walls and other vulnerable interior surfaces against damage caused by impact and wear.

Ideal for use in minor treatment rooms, waiting areas, general corridors, consulting rooms & equipment bays etc.

P20/172 PROPRIETARY 125mm LIGHT DUTY PVC-U CRASHRAIL SYSTEM

Manufacturer:

PJP Ltd., St Albans Road West, Hatfield, Hertfordshire, AL10 0TF.

T: 01707 266 726. F: 01707 263 614

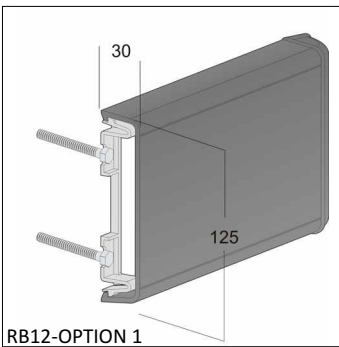
E: sales@intrad.com W: www.intrad.com

Product reference: Intrad RB12-Option 1 Crashrail.

Comprising high impact PVC-U cover section fixed over sprung plastic brackets.

Impact Rating: Light/Medium Duty

Size: 125mm high 30mm deep Crashrail



RB12-OPTION 1

Accessories:

RB55: End Stop

RB44: External 90° Bend

RB4: Fabricated non 90° bend

RB17: Joint Block

Colour/Finish:

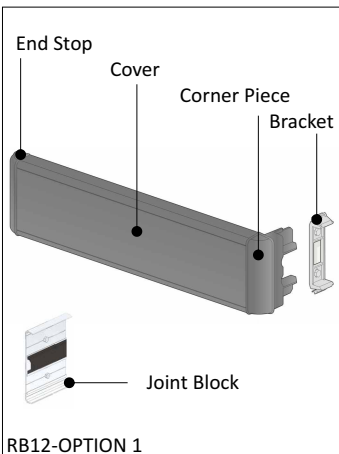
To be selected from the manufacturer's Standard colour range or Artist Range. Smooth easy to clean top and bottom edges with an embossed impact zone on the front face.

Fixing:

In accordance with the manufacturer's instructions.

Cover snap fixed over sprung plastic brackets screw fixed at maximum 600mm centres.

Jointing: Butt-jointed over an RB17 Joint Block.



RB12-OPTION 1

Product Code:

INTRAD RB12-Option 2 Crashrail



Product Description:-

Intrad RB12-Option 2 is a mid height/low level medium duty PVC-U guardrail system, designed to protect vulnerable interior surfaces against damage caused by impact and wear. often used at waist or skirting height giving protection of 125mm depth of cover.

Intrad RB12-Option2 is ideal for use in major treatment rooms, general corridors, ward corridors, utility rooms, examination rooms & dining rooms etc.

P20/172A PROPRIETARY 125mm MEDIUM DUTY PVC-U CRASHRAIL SYSTEM

Manufacturer:

PJP Ltd., St Albans Road West, Hatfield, Hertfordshire, AL10 0TF.
T: 01707 266 726. F: 01707 263 614
E: sales@intrad.com W: www.intrad.com

Product reference: Intrad RB12-Option 2 Crashrail.

Comprising high impact PVC-U cover section fixed over aluminium brackets and continuous impact absorber.

Impact Rating: Medium Duty

Size: 125mm high 30mm deep Crashrail

Accessories:

- RB55: End Stop
- RB44: External 90° Bend
- RB4: Fabricated non 90° bend
- RB17: Joint Block

Colour/Finish:

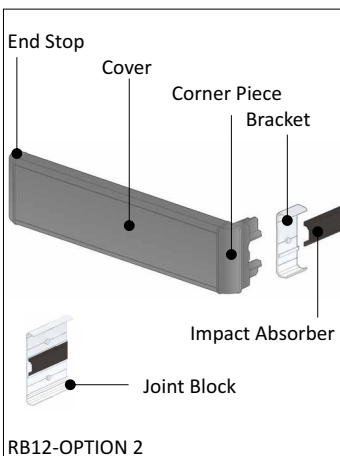
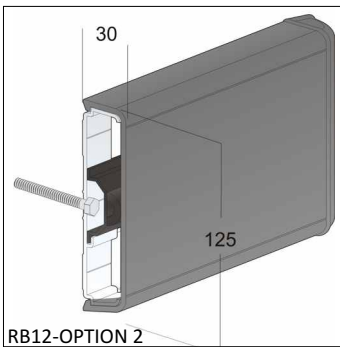
To be selected from the manufacturer's Standard colour range or Artist Range. Smooth easy to clean top and bottom edges with an embossed impact zone on the front face.

Fixing:

In accordance with the manufacturer's instructions.

Cover snap fixed over aluminium brackets (screw fixed at maximum 600mm centres) and continuous impact absorber.

Joining: Butt-jointed over an RB17 Joint Block.



Product Code:

INTRAD RB12-Option 3 Crashrail



Product Description:-

Intrad RB12-Option 3 is a mid height/low level heavy duty 125mm PVC-U crashrail system, designed to protect walls and other vulnerable interior surfaces against damage caused by impact and wear by giving protection of depth of cover.

Intrad RB12-Option 3 is ideal for main circulation areas, wheelchair damage, kitchen corridors, trolley stores, staff base & goods in etc.

P20/172B PROPRIETARY 125mm HEAVY DUTY PVC-U CRASHRAIL SYSTEM

Manufacturer:

PJP Ltd., St Albans Road West, Hatfield, Hertfordshire, AL10 0TF.

T: 01707 266 726. F: 01707 263 614

E: sales@intrad.com W: www.intrad.com

Product reference: Intrad RB12-Option 3 Crashrail.

Comprising high impact PVC-U cover section fixed over continuous aluminium core and single impact absorber.

Impact Rating: Heavy Duty

Size: 125mm high 30mm deep Crashrail

Accessories:

RB55: End Stop

RB44: External 90° Bend

RB4: Fabricated non 90° bend

Colour/Finish:

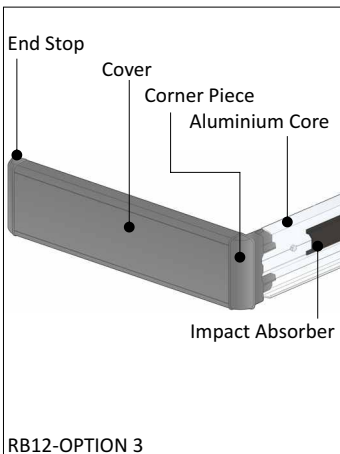
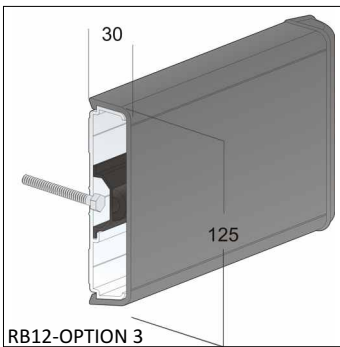
To be selected from the manufacturer's Standard colour range or Artist Range. Smooth easy to clean top and bottom edges with an embossed impact zone on the front face.

Fixing:

In accordance with the manufacturer's instructions.

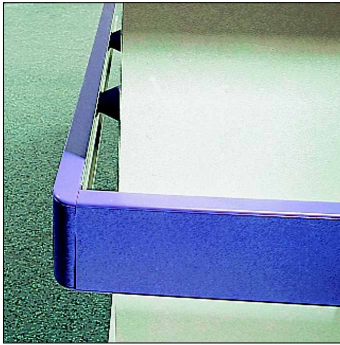
Cover snap fixed over continuous aluminium core (screw fixed at maximum 600mm centres) and impact absorber.

Joining: Butt-jointed aluminium with offset overlap joints in the cover and impact absorber.



Product Code:

INTRAD RB12-Option 4 Crashrail



Product Description:-

Intrad RB12-Option 4 is a mid height/low level heavy duty PVC-U guardrail system projected away from the wall. It is designed to protect walls and other vulnerable interior surfaces against damage caused by impact and wear.

Intrad RB12-Option 4 is ideal for use in circulation areas, wheelchair damage, kitchen corridors, trolley stores, staff base & goods in etc.

P20/172C PROPRIETARY 125mm HEAVY DUTY PVC-U CRASHRAIL SYSTEM

Manufacturer:

PJP Ltd., St Albans Road West, Hatfield, Hertfordshire, AL10 0TF.

T: 01707 266 726. F: 01707 263 614

E: sales@intrad.com W: www.intrad.com

Product reference: Intrad RB12-Option 4 Crashrail.

Comprising high impact PVC-U cover section fixed over continuous aluminium core and single impact absorber mounted on 45mm spacers.

Impact Rating: Heavy Duty

Size: 125mm high 30mm deep Crashrail projecting 75mm

Accessories:

RB55: End Stop

RB44: External 90° Bend

RB4: Fabricated non 90° bend

Colour/Finish:

To be selected from the manufacturer's Standard colour range or Artist Range. Smooth easy to clean top and bottom edges with an embossed impact zone on the front face.

Fixing:

In accordance with the manufacturer's instructions.

Cover snap fixed through continuous aluminium core (screw fixed at maximum 600mm centres) and 45mm spacer c/w impact absorber.

Joining: Butt-jointed aluminium with offset overlap joints in the cover and impact absorber.

Substrates:-

If the INTRAD RB12-Option 4 is to be fitted to hollow walls (single/double skin plasterboard systems or similar) a suitable continuous noggin, pattress or metal channel must be installed.

