

**Product Code:**

**INTRAD RCA-75 Cornerguard**



**Product Description:-**

INTRAD RCA-75 is a sophisticated and elegant protection system for vulnerable and exposed corners; comprising of a rigid aluminium core, continuous impact absorbers, end caps and a PVC-U cover profile to suit 90° corner angles with a 75mm leg.

Ideal for use on: interior walls and partitions, door frames, rectangular columns, service counters, plinths, displays and food/storage cabinets

**P20 177 PROPRIETARY 90° CORNER PROTECTION - 75mm**

**Manufacturer:**

PJP Ltd., St Albans Road West, Hatfield, Hertfordshire, AL10 0TF.

T: 01707 266 726. F: 01707 263 614

E: sales@intrad.com W: www.intrad.com

**Product reference:** Intrad RCA-75 Cornerguard

Comprising embossed 75 x75mm PVC-U cover, aluminium core with twin impact cushions @90° and matching end caps. Cut to ..... high.

**Impact Rating:** Heavy Duty

**Size:** 75 x 75mm @ 90°. Standard length 3m, cut to height as required.

**Accessories:**

RCA-7-ES: RCA-75 End Stop (2 No. required per corner angle)

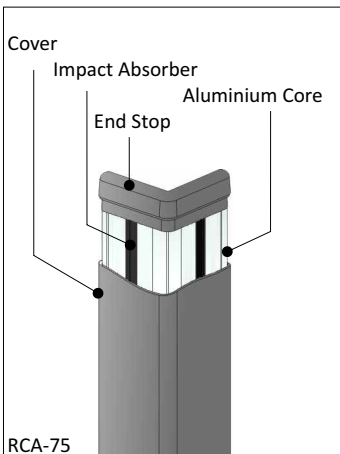
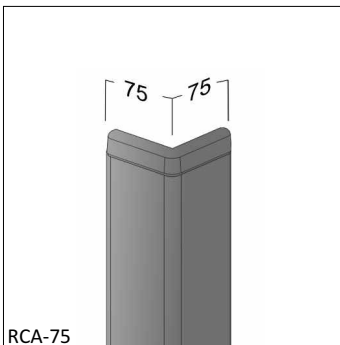
**Colour/Finish:**

To be selected from the manufacturer's Standard colour range or Artist Range. Embossed finish to cover profile and end caps

**Fixing:**

In accordance with the manufacturer's instructions.

Cover snap fixed over aluminium core, screw fixed at 200mm alternate centres, c/w mechanically fixed end caps.



**Product Code:**

**INTRAD RCA-7-135 Cornerguard**



**Product Description:-**

INTRAD RCA-7-135 is a sophisticated and elegant protection system for vulnerable and exposed corners; comprising of a rigid aluminium core, continuous impact absorbers, end caps and a PVC-U cover profile to suit 135° corner angles with a 75mm leg.

Ideal for use on: interior walls and partitions, door frames, rectangular columns, service counters, plinths, displays and food/storage cabinets

**P20 177A PROPRIETARY 90° CORNER PROTECTION - 75mm**

**Manufacturer:**

PJP Ltd., St Albans Road West, Hatfield, Hertfordshire, AL10 0TF.

T: 01707 266 726. F: 01707 263 614

E: sales@intrad.com W: www.intrad.com

**Product reference:** Intrad RCA-7-135 Cornerguard

Comprising embossed 75 x 75mm PVC-U cover, aluminium core with twin impact cushion @ 135° and matching end caps. Cut to ..... high.

**Impact Rating:** Heavy Duty

**Size:** 75 x 75mm @ 135°. Standard length 3m, cut to height as required.

**Accessories:**

RCA-7-135-ES: RCA-7-135 End Caps (2 No. required per corner angle)

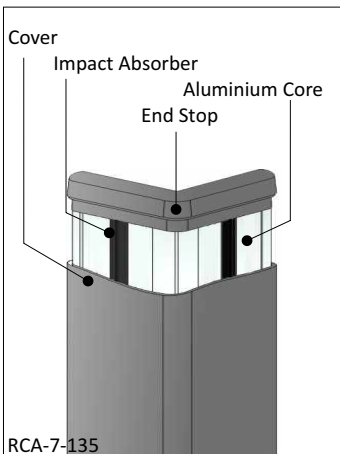
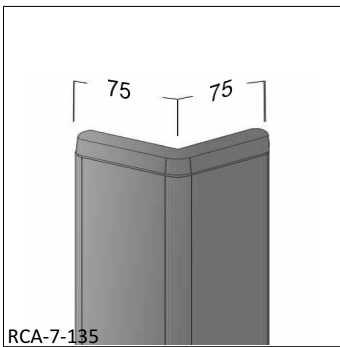
**Colour/Finish:**

To be selected from the manufacturer's Standard colour range or Artist Range. Embossed finish to cover profile and end caps

**Fixing:**

In accordance with the manufacturer's instructions.

Cover snap fixed over aluminium core, screw fixed at 200mm alternate centres, c/w mechanically fixed end caps.



**Product Code:**

**INTRAD RCA-50 Cornerguard**



**Product Description:-**

INTRAD RCA-50 is a sophisticated and elegant protection system for vulnerable and exposed corners; comprising of a rigid aluminium core, end caps and a PVC-U cover profile to suit 90° corner angles with a 50mm leg.

Ideal for use on: interior walls and partitions, door frames, rectangular columns, service counters, plinths, displays and food/storage cabinets

**P20 177B PROPRIETARY 90° CORNER PROTECTION - 50mm**

**Manufacturer:**

PJP Ltd., St Albans Road West, Hatfield, Hertfordshire, AL10 0TF.

T: 01707 266 726. F: 01707 263 614

E: sales@intrad.com W: www.intrad.com

**Product reference:** Intrad RCA-50 Cornerguard

Comprising embossed 50 x 50mm PVC-U cover, aluminium core with twin impact cushions @ 90°. Cut to ..... high.

**Impact Rating:** Heavy Duty

**Size:** 50 x 50mm @ 90°. Standard length 3m, cut to height as required.

**Accessories:**

RCA-5-ES: RCA-50 End Caps (2 No. required per corner angle)

**Colour/Finish:**

To be selected from the manufacturer's Standard colour range or Artist Range. Embossed finish to cover profile and end caps

**Fixing:**

In accordance with the manufacturer's instructions.

Cover snap fixed over aluminium core, screw fixed at 200mm alternate centres, c/w mechanically fixed end caps.

